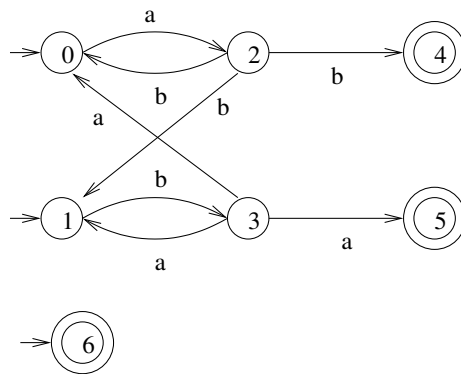


**Solutions to 3rd Coursework**

23/2/2004

1. (a)  $(a + b + c)^*b(a + b + c)^*$
- (b)  $(a + c)^*$
- (c)  $(a + b)^*(b + c)^*$
- (d)  $c^*(a + b)c^*((a + b)c^*(a + b)c^*)^*$
- (e)  $(a + b + c)^*aa(a + b + c)^*$
- (f)  $(b + c)^*(a(b + c)(b + c)^*)^*(a + \epsilon)$

2.



3.

